

Reissued: 15-Aug-99


|              |                 |                |
|--------------|-----------------|----------------|
| Model: Fresa | Date: 31-May-99 | No.: MG024002a |
|--------------|-----------------|----------------|

### MB Correction

The items in bold italics have been corrected or added.

|   |   |   |  |
|---|---|---|--|
| Modified Article: Parts Catalog             |   | Prepared by: Y. Tamaoka                         |  |
| From: Technical Service Dept., GTS Division |   |   |  |
| Reason for Modification:                    | <input type="checkbox"/> Parts catalog correction | <input type="checkbox"/> Vendor change          | <input type="checkbox"/> To meet standards ( ) |
|   | <input type="checkbox"/> To facilitate assembly   | <input type="checkbox"/> To improve reliability |  |
|   | <input type="checkbox"/> Part standardization     | <input checked="" type="checkbox"/> Other       |  |

Although the Fresa parts catalog is based on the Fresa Win model, it may also be used for reference regarding the PS model as well. This is due to the fact that nearly all parts are identical, with the exceptions detailed below:

| Win part number | PS part number  | Description                         | Qty      | Int | Page  | Index     | Note        |
|-----------------|-----------------|-------------------------------------|----------|-----|---|-----------|-------------|
| G0243282        | G0243382        | By-pass Feed Table Assy - PS        | 1        |     | 3   | 1         |             |
| G0243292        | G0243392        | Decal - Paper Size - PS             | 1        |     | 3   | 6         |             |
| G0245613        | G0245611        | Operation Panel Assy - PS NA        | 1        |     | 3   | 17        |             |
| G0245614        | G0245612        | Operation Panel Assy - PS EU        | 1        |     | 3   | 17        |             |
| H5164095        |                 | Decal - Energystar                  | 0        |     | 3   | 19        |             |
| G0241524        | G0241514        | Left Cover - PS                     | 1        |     | 5   | 4         |             |
| G8001523        |                 | IC Card Cover                       | 0        |     | 5   | 5         |             |
| G9083186        | G0243093        | Decal - Paper Size Dial - PS NA     | 1        |     | 13  | 1         |             |
| G9083186        | G0243096        | Decal - Paper Size Dial - PS EU     | 1        |     | 13  | 1         |             |
| G9083184        | G0243091        | Paper Size Dial Assy - PS NA        | 1        |     | 13  | 17        |             |
| G9083184        | G0243094        | Paper Size Dial Assy - PS EU        | 1        |     | 13  | 17        |             |
| G0241429        |                 | Control Board Cover                 | 0        |     | 35  | 4         |             |
| G0201392        |                 | Screw - M3x8                        | 0        |     | 35  | 5         |             |
| G8001175        |                 | Board Cover                         | 0        |     | 35  | 6         |             |
| G0241424        |                 | Right Shielding Plate               | 0        |     | 35  | 7         |             |
| G0245330        |                 | Printer Control Board               | 0        |     | 35  | 10        |             |
| G0241478        |                 | IC Card Support Plate               | 0        |     | 35  | 11        |             |
| G0241427        |                 | Left Shielding Plate                | 0        |     | 35  | 12        |             |
|                 | <b>G0245320</b> | <b>Printer Control Board - PS</b>   | <b>0</b> |     | <b>35</b>   | <b>51</b> | <b>*3</b>   |
|                 | <b>G0245321</b> | <b>Controller-PS w/o ROM RAM</b>    | <b>1</b> |     | <b>35</b>   | <b>51</b> | <b>*3</b>   |
|                 | <b>G0245323</b> | <b>FLASH DIMM-PS</b>                | <b>1</b> |     | <b>35</b>   | <b>51</b> | <b>*3</b>   |
|                 | <b>G0245324</b> | <b>SDRAM-PS</b>                     | <b>1</b> |     | <b>35</b>   | <b>51</b> | <b>*3</b>   |
|                 | G0241485        | Connector Cover - PS                | 1        |     | 35  | 52        | *1          |
|                 | G0241495        | Controller Board Bracket - PS       | 1        |     | 35  | 53        | *1          |
|                 | G0241496        | Controller Board Angle - PS         | 1        |     | 35  | 54        | *1          |
|                 | G0241487        | Board Cover - PS                    | 1        |     | 35  | 55        | *1          |
|                 | G0241499        | Control Board Cover - PS            | 1        |     | 35  | 56        | *1          |
|                 | <b>G0241453</b> | <b>Ground Plate Stay Rear Lower</b> | <b>1</b> |     |   | <b>57</b> | <b>*1,4</b> |
|                 | <b>G0241455</b> | <b>Gasket 337</b>                   | <b>2</b> |     |   | <b>58</b> | <b>*1,4</b> |
|                 | <b>G0241456</b> | <b>Gasket 186</b>                   | <b>2</b> |     |   | <b>59</b> | <b>*1,4</b> |
|                 | <b>G0241458</b> | <b>Lock Connector-PS</b>            | <b>1</b> |     |   | <b>60</b> | <b>*1,4</b> |
|                 | <b>G0241459</b> | <b>Screw Lock Inch-PS</b>           | <b>2</b> |     |  | <b>61</b> | <b>*1,4</b> |
|                 | <b>G0241463</b> | <b>Gasket 20</b>                    | <b>2</b> |     |   | <b>62</b> | <b>*1,4</b> |
|                 | <b>G0241464</b> | <b>Gasket 30</b>                    | <b>1</b> |     |   | <b>63</b> | <b>*1,4</b> |
|                 | <b>G0241467</b> | <b>Tape GND</b>                     | <b>1</b> |     |   | <b>64</b> | <b>*1,4</b> |
|                 | 03530060W       | Philips Pan Head Screw - M3x6       |          |     | 35  | 151       | *1          |
|                 | 04513006B       | Tapping Screw - M3x6                |          |     | 35  | 152       | *1          |

**Reissued: 15-Aug-99**

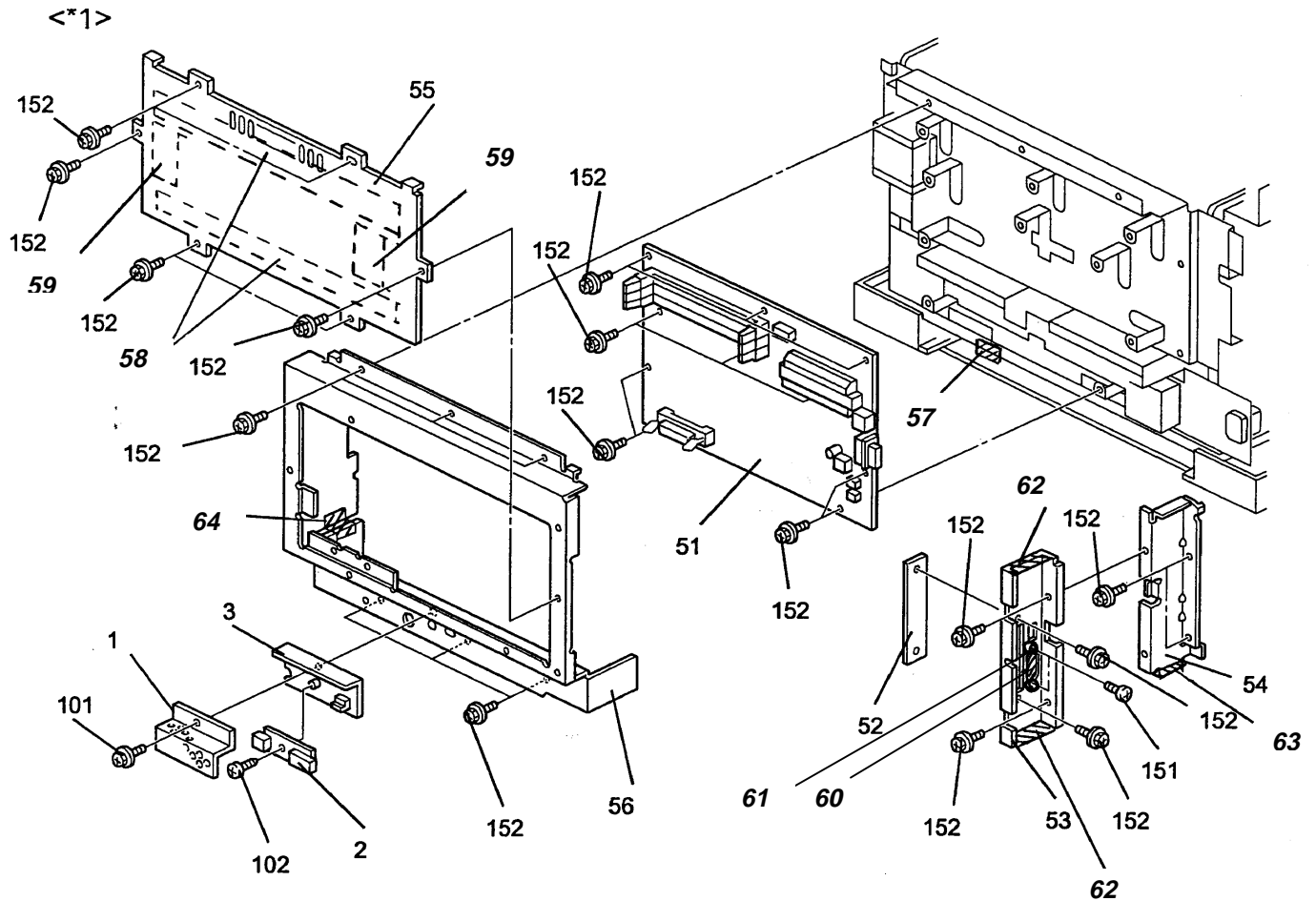
|              |                 |                |
|--------------|-----------------|----------------|
| Model: Fresa | Date: 31-May-99 | No.: MG024002a |
|--------------|-----------------|----------------|

| Win part number | PS part number | Description  | Qty | Int | Page | Index | Note |
|-----------------|----------------|--|-----|-----|------|-------|------|
| G0245330        | G0245320       | Printer Control Board - PS                               | 1   |     | 61   | *     |      |
| xxxxxxx         |                | All parts listed on page 61 except Printer Control Board | 0   |     | 61   | All   |      |
| G0243292        | G0243392       | Decal - Paper Size - PS                                  | 1   |     | 63   | 9     |      |
| H5164095        |                | Decal - Energystar                                       | 0   |     | 63   | 10    |      |
| G9083186        | G0243093       | Decal - Paper Size Dial - PS NA                          | 1   |     | 63   | 12    |      |
| G9083186        | G0243096       | Decal - Paper Size Dial - PS EU                          | 1   |     | 63   | 12    |      |
| G0248607        | G0248637       | Printer Reference - PS NA                                | 1   |     | 63   | 13    |      |
| G0248650        | G0248651       | Printer Reference - PS SVN                               | 1   |     | 63   | 13    |      |
| G0248697        | G0248652       | Printer Reference - PS GES                               | 1   |     | 63   | 13    |      |
|                 | G0248667       | Users Guide - PS   | 1   |     | 63   | 13    |      |
|                 | G0248647       | Getting Started - PS                                     | 1   |     | 63   | 13    |      |
|                 | G5448637       | Decal - Controller Manual - RIC                          | 1   |     | 63   | *     |      |
|                 | G5448651       | Decal - Controller Manual - SVN                          | 1   |     | 63   | *     |      |
|                 | G5448652       | Decal - Controller Manual - GES                          | 1   |     | 63   | *     |      |
| G0241554        | G0241556       | Brand Name Seal - PS RIC                                 | 1   |     | 63   | 14    |      |
| G5336600        | G5446600       | Brand Name Seal - PS SVN                                 | 1   |     | 63   | 14    |      |
| G5336610        | G5446610       | Brand Name Seal - PS GES                                 | 1   |     | 63   | 14    |      |
|                 | G0246830       | Decal - Fiery Driven                                     | 1   |     | 63   | 51    | *2   |
| G0109350        |                | Loopback Connector - P-RS3CNT                            | 0   |     | 65   | 3     |      |
| G0219350        |                | Loopback Connector - Parallel                            | 0   |     | 65   | 3     |      |

\*1, 2: New Index

Reissued: 15-Aug-99

|              |                 |                |
|--------------|-----------------|----------------|
| Model: Fresa | Date: 31-May-99 | No.: MG024002a |
|--------------|-----------------|----------------|



<\*2>



**Note: \*3**  
**Refer to MG024003**

**Note: \*4**  
**These parts were added to improve EFI capability from the first FresaPS production.**